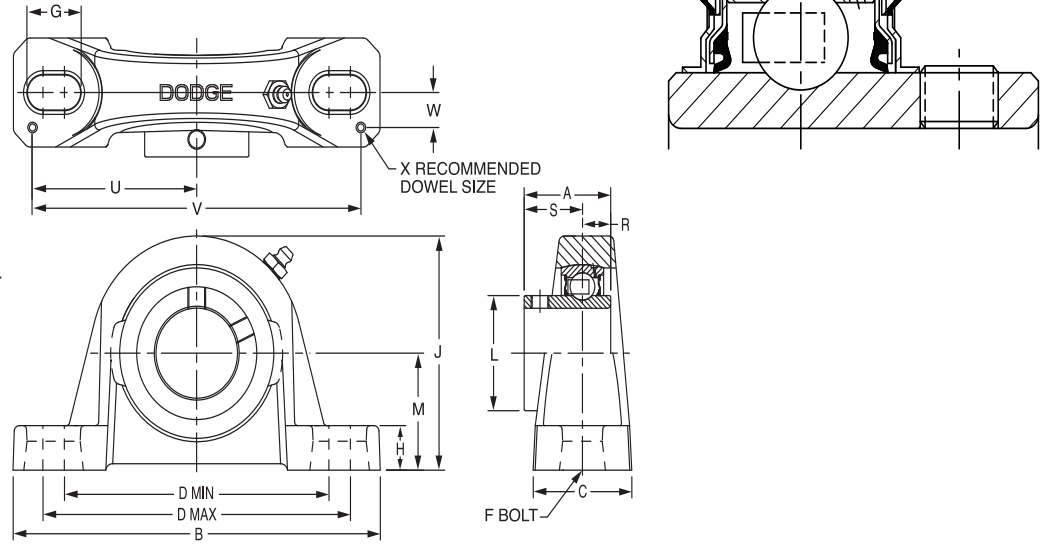




SELECTION/DIMENSIONS

Setscrew Ball Bearings SC AND SCU NORMAL DUTY PILLOW BLOCKS



Lube Fitting
203 series - 1/4-28 tapered thread
204 series and larger - 1/8-27 NPT

Series	Shaft Size	Standard		No-Lube/Seal for Life (-NL)	
		Part No.	Description	Part No.	Description
203	1/2	123830	P2B-SC-008	123932	P2B-SC-008-NL
	5/8	123831	P2B-SC-010	126500	P2B-SC-010-NL
	17mm	053170	P2B-SC-17M	@	P2B-SC-17M-NL
203 (SCU)	1/2	123753	P2B-SCU-008	@	P2B-SCU-008-NL
	5/8	123754	P2B-SCU-010	@	P2B-SCU-010-NL
	17mm	125850	P2B-SCU-17M	@	P2B-SCU-17M-NL
204	1/2	123835	P2B-SC-008L	052101	P2B-SC-008L-NL
	5/8	123836	P2B-SC-010L	@	P2B-SC-010L-NL
	3/4	123803	P2B-SC-012	052012	P2B-SC-012-NL
	20mm	125851	P2B-SC-20M	068372	P2B-SC-20M-NL
205	7/8	123804	P2B-SC-014	126502	P2B-SC-014-NL
	15/16	123805	P2B-SC-015	126503	P2B-SC-015-NL
	1	123806	P2B-SC-100	123824	P2B-SC-100-NL
	25mm	125852	P2B-SC-25M	056744	P2B-SC-25M-NL
206	1-1/16	123807	P2B-SC-101	126504	P2B-SC-101-NL
	1-1/8	123808	P2B-SC-102	126505	P2B-SC-102-NL
	1-3/16	123809	P2B-SC-103	123828	P2B-SC-103-NL
	1-1/4	123170	P2B-SC-104S	049852	P2B-SC-104S-NL
	30mm	125853	P2B-SC-30M	074162	P2B-SC-30M-NL
206 (SCU)	1-1/16	123877	P2B-SCU-101	@	P2B-SCU-101-NL
	1-1/8	123878	P2B-SCU-102	@	P2B-SCU-102-NL
	1-3/16	123879	P2B-SCU-103	050837	P2B-SCU-103-NL
	1-1/4	123894	P2B-SCU-104S	073282	P2B-SCU-104S-NL
	30mm	125854	P2B-SCU-30M	@	P2B-SCU-30M-NL
207	1-1/4	123810	P2B-SC-104	123933	P2B-SC-104-NL
	1-5/16	123811	P2B-SC-105	@	P2B-SC-105-NL
	1-3/8	123812	P2B-SC-106	123781	P2B-SC-106-NL
	1-7/16	123813	P2B-SC-107	123792	P2B-SC-107-NL
	35mm	125855	P2B-SC-35M	@	P2B-SC-35M-NL

@ Assembled to order.

FEATURES/BENEFITS PAGE B4-3	HOW TO ORDER/NOMENCLATURE PAGE B4-5	SELECTION PAGE B4-6	ACCESSORIES PAGE B4-98
--------------------------------	--	------------------------	---------------------------

SELECTION/DIMENSIONS



Setscrew Ball Bearings SC AND SCU NORMAL DUTY PILLOW BLOCKS

Bearing Reference Guide

ULTRA KLEEN

E-Z KLEEN

Extreme Duty

Setscrew Ball Bearing

GRIP TIGHT

D-LOK Ball Bearing

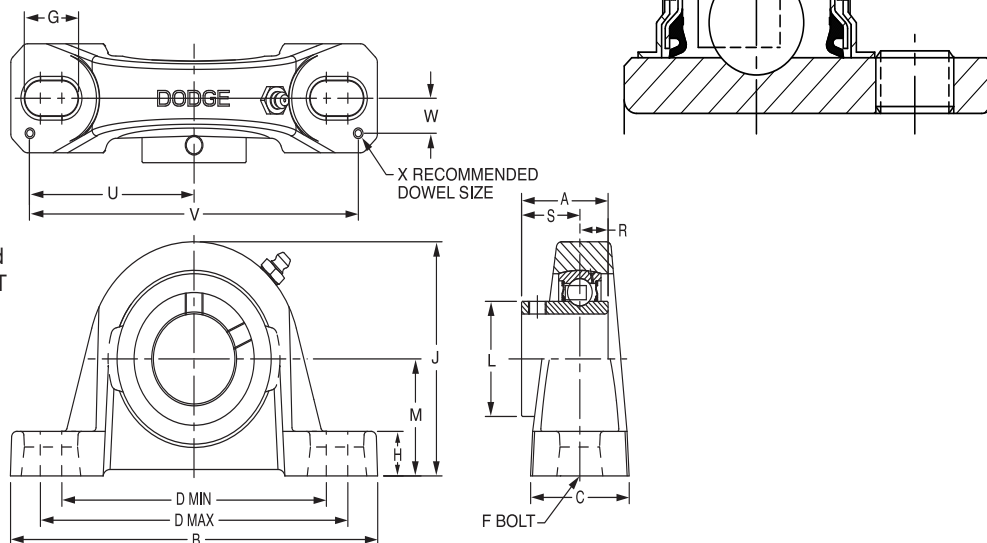
Series	Shaft Size	Wgt. lbs. kgs	A	B	C	D		F Bolt Dia.	G	H	J	L	M	R	S	U	V	W	X
						Min	Max												
203	1/2	1.1	1.00	5.00	1.20	3.25	4.06	3/8	0.84	0.47	2.14	0.96	1.06	0.36	0.64	2.25	4.50	0.38	0.12
	5/8	1.0																	
	17mm	0.4	25.4	127.0	30.5	82.6	103.1	M10	21.3	11.9	54.4	24.4	27.0	9.1	16.3	57.2	114.3	9.7	3.0
203 SCU	1/2	1.2	1.00	5.00	1.20	3.25	4.06	3/8	0.84	0.59	2.27	0.96	1.19	0.36	0.64	2.25	4.50	0.38	0.12
	5/8	1.0																	
	17mm	0.4	25.4	127.0	30.5	82.6	103.1	M10	21.3	15.0	57.7	24.4	30.2	9.1	16.3	57.2	114.3	9.7	3.0
204	1/2	1.6	1.23	5.25	1.34	3.38	4.19	3/8	0.85	0.53	2.56	1.12	1.31	0.50	0.73	2.25	4.50	0.50	0.12
	5/8	1.5																	
	3/4	1.4																	
	20mm	0.7	31.2	133.4	34.0	85.9	106.4	M10	21.6	13.5	65.0	28.4	33.3	12.7	18.5	57.2	114.3	12.7	3.0
205	7/8	1.8	1.34	5.50	1.40	3.69	4.50	3/8	0.85	0.58	2.77	1.32	1.44	0.56	0.78	2.50	5.00	0.50	0.12
	15/16	1.7																	
	1	1.6																	
	25mm	0.7	34.0	139.7	35.6	93.7	114.3	M10	21.6	14.7	70.4	33.5	36.5	14.2	19.8	63.5	127.0	12.7	3.0
206	1-1/16	2.8	1.52	6.25	1.75	4.25	5.00	1/2	0.94	0.68	3.25	1.57	1.63	0.58	0.94	2.88	5.76	0.56	0.12
	1-1/8	2.7																	
	1-3/16	2.6																	
	1-1/4	2.5																	
	30mm	1.1	38.6	158.8	44.5	108.0	127.0	M12	23.9	17.3	82.6	39.9	41.3	14.7	23.9	73.2	146.3	14.2	3.0
206 SCU	1-1/16	2.9	1.52	6.25	1.75	4.25	5.00	1/2	0.94	0.75	3.31	1.57	1.69	0.58	0.94	2.88	5.76	0.56	0.12
	1-1/8	2.8																	
	1-3/16	2.7																	
	1-1/4	2.6																	
	30mm	1.1	38.6	158.8	44.5	108.0	127.0	M12	23.9	19.1	84.1	39.9	42.9	14.7	23.9	73.2	146.3	14.2	3.0
207	1-1/4	4.5	1.71	6.50	1.75	4.68	5.44	1/2	0.94	0.71	3.75	1.84	1.88	0.67	1.04	2.91	5.82	0.56	0.12
	1-5/16	4.4																	
	1-3/8	4.3																	
	1-7/16	4.2																	
	35mm	1.5	43.4	165.1	44.5	118.9	138.2	M12	23.9	18.0	95.3	46.7	47.6	17.0	26.4	73.9	147.8	14.2	3.0

FEATURES/BENEFITS PAGE B4-3	HOW TO ORDER/NOMENCLATURE PAGE B4-5	SELECTION PAGE B4-6	ACCESSORIES PAGE B4-98
--------------------------------	--	------------------------	---------------------------



SELECTION/DIMENSIONS

Setscrew Ball Bearings SC AND SCU NORMAL DUTY PILLOW BLOCKS



Lube Fitting

203 series - 1/4-28 tapered thread
204 series and larger - 1/8-27 NPT

Series	Shaft Size	Standard		No-Lube/Sealed for Life (-NL)	
		Part No.	Description	Part No.	Description
208	1-1/2	123814	P2B-SC-108	123829	P2B-SC-108-NL
	1-5/8	123815	P2B-SC-110	126510	P2B-SC-110-NL
	40mm	056855	P2B-SC-40M	067679	P2B-SC-40M-NL
209	1-5/8	125169	P2B-SC-110L	073381	P2B-SC-110L-NL
	1-11/16	123816	P2B-SC-111	123784	P2B-SC-111-NL
	1-3/4	123817	P2B-SC-112	123782	P2B-SC-112-NL
	45mm	125857	P2B-SC-45M	067925	P2B-SC-45M-NL
210	1-15/16	123818	P2B-SC-115	123793	P2B-SC-115-NL
	2	123819	P2B-SC-200	123939	P2B-SC-200-NL
	50mm	125858	P2B-SC-50M	058702	P2B-SC-50M-NL
211	2	126815	P2B-SCM-200	126547	P2B-SCM-200-NL
	2-3/16	123820	P2B-SC-203	123783	P2B-SC-203-NL
	2-1/4	123821	P2B-SC-204	126513	P2B-SC-204-NL
	55mm	125859	P2B-SC-55M	@	P2B-SC-55M-NL
212	2-1/4	126817	P2B-SCM-204	@	P2B-SCM-204-NL
	2-7/16	123822	P2B-SC-207	123987	P2B-SC-207-NL
	60mm	125860	P2B-SC-60M	062162	P2B-SC-60M-NL
214	2-1/2	126819	P2B-SCM-208	062178	P2B-SCM-208-NL
	2-11/16	123839	P2B-SC-211	068603	P2B-SC-211-NL
	70mm	125861	P2B-SC-70M	126548	P2B-SC-70M-NL
215	2-15/16	123823	P2B-SC-215	123636	P2B-SC-215-NL
	75mm	125862	P2B-SC-75M	@	P2B-SC-75M-NL
215 (SCU)	2-15/16	123728	P2B-SCU-215	@	P2B-SCU-215-NL
	75mm	052792	P2B-SCU-75M	@	P2B-SCU-75M-NL
218	90mm	052794	P2B-SC-90M	@	P2B-SC-90M-NL

@Assembled to order

FEATURES/BENEFITS PAGE B4-3	HOW TO ORDER/NOMENCLATURE PAGE B4-5	SELECTION PAGE B4-6	ACCESSORIES PAGE B4-98
--------------------------------	--	------------------------	---------------------------

SELECTION/DIMENSIONS



Setscrew Ball Bearings SC AND SCU NORMAL DUTY PILLOW BLOCKS

Bearing Reference Guide

ULTRA KLEEN

E-Z KLEEN

Extreme Duty

Setscrew Ball Bearing

GRIP TIGHT

D-LOK Ball Bearing

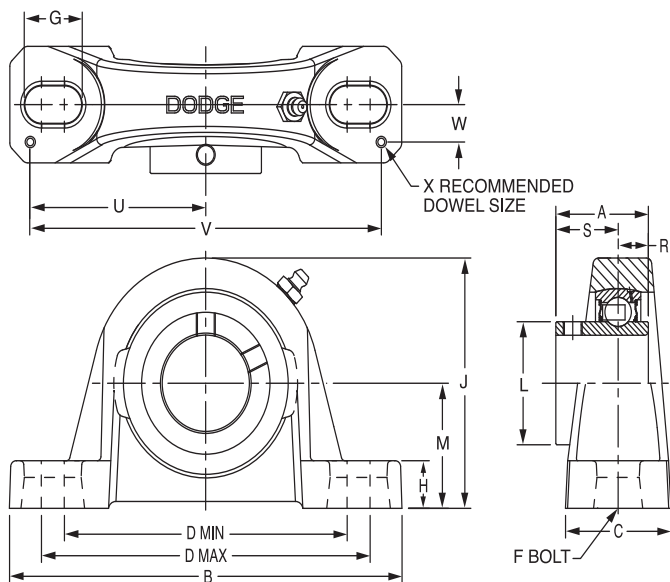
Series	Shaft Size	Wgt. lbs. kgs	A	B	C	D		F Bolt Dia.	G	H	J	L	M	R	S	U	V	W	X	
						Min	Max													
208	1-1/2	5.4	1.94	7.25	1.93	5.18	5.88	1/2	0.91	0.93	4.19	2.05	2.13	0.75	1.19	3.26	6.52	0.69	0.12	
	1-5/8	5.3																		
	40mm	2.2	49.3	184.2	49.0	131.6	149.4	M12	23.1	23.6	106.4	52.1	54.0	19.1	30.2	82.8	165.6	17.5	3.0	
209	1-5/8	6.6	1.94	7.44	2.00	5.50	6.19	1/2	0.90	0.75	4.28	2.22	2.13	0.75	1.19	3.38	6.76	0.69	0.12	
	1-11/16	6.4																		
	1-3/4	6.2	49.3	189.0	50.8	139.7	157.2	M12	22.9	19.1	108.7	56.4	54.0	19.1	30.2	85.9	171.7	17.5	3.0	
210	1-15/16	7.2	1.94	8.12	2.25	6.00	6.68	5/8	1.02	0.75	4.53	2.43	2.25	0.75	1.19	3.69	7.38	0.81	0.12	
	2	7.0																		
	50mm	2.6	49.3	206.2	57.2	152.4	169.7	M16	25.9	19.1	115.1	61.7	57.2	19.1	30.2	93.7	187.5	20.6	3.0	
211	2	9.0	2.22	8.88	2.30	6.38	7.44	5/8	1.21	0.88	4.96	2.71	2.50	0.87	1.35	3.94	7.88	0.81	0.12	
	2-3/16	8.9																		
	2-1/4	8.8	56.4	225.6	58.4	162.1	189.0	M16	30.7	22.4	126.0	68.8	63.5	22.1	34.3	100.1	200.2	20.6	3.0	
212	2-1/4	10.8	2.31	9.50	2.37	6.88	7.94	5/8	1.21	0.88	5.40	2.97	2.75	0.90	1.41	4.25	8.50	0.88	0.12	
	2-7/16	10.2																		
	60mm	4.2	58.7	241.3	60.2	174.8	201.7	M16	30.7	22.4	137.2	75.4	69.9	22.9	35.8	108.0	215.9	22.4	3.0	
214	2-1/2	15.5	2.54	10.75	2.69	7.50	8.50	3/4	1.32	0.94	6.09	3.31	3.00	1.06	1.48	4.88	9.76	0.94	0.12	
	2-11/16	15.0																		
	70mm	6.9	64.5	273.1	68.3	190.5	215.9	M18	33.5	23.9	154.7	84.1	76.2	26.9	37.6	124.0	247.9	23.9	3.0	
215	2-15/16	20.5	2.33	11.75	2.88	8.50	9.50	7/8	1.44	1.00	6.75	3.62	3.50	0.86	1.47	5.48	10.96	1.04	0.12	
	75mm	7.9	59.2	298.5	73.2	215.9	241.3	M22	36.6	25.4	171.5	91.9	88.9	21.8	37.3	139.2	278.4	26.4	3.0	
215 SCU	2-15/16	20.7	2.33	11.75	2.88	8.50	9.50	7/8	1.44	1.00	6.50	3.62	3.25	0.86	1.47	5.48	10.96	1.04	0.12	
	75mm	8.0	59.2	298.5	73.2	215.9	241.3	M22	36.6	25.4	165.1	91.9	82.6	21.8	37.3	139.2	278.4	26.4	3.0	
218	90mm	13.6	65.0	355.6	85.9	262.1	295.1	M22	40.4	33.3	203.2	110.5	101.6	24.4	40.6	167.6	335.3	30.2	3.0	

FEATURES/BENEFITS PAGE B4-3	HOW TO ORDER/NOMENCLATURE PAGE B4-5	SELECTION PAGE B4-6	ACCESSORIES PAGE B4-98
--------------------------------	--	------------------------	---------------------------

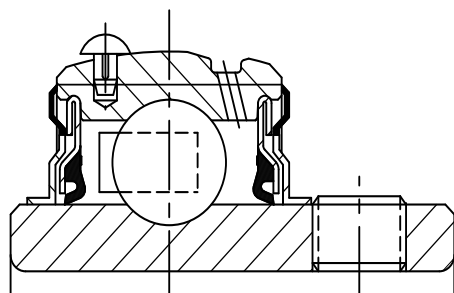


SELECTION/DIMENSIONS

Setscrew Ball Bearings SCB NORMAL DUTY PILLOW BLOCKS



Lube Fitting
 203 series - 1/4-28 tapered thread
 204 series and larger - 1/8-27 NPT



Series	Shaft Size	Part No.	Description
203 (SC)	1/2	123830	P2B-SC-008
	5/8	123831	P2B-SC-010
	17mm	053170	P2B-SC-17M
204	1/2	123854	P2B-SCB-008L
	5/8	123855	P2B-SCB-010L
	3/4	123860	P2B-SCB-012
	20mm	124941	P2B-SCB-20M
205	7/8	123861	P2B-SCB-014
	15/16	123862	P2B-SCB-015
	1	123863	P2B-SCB-100
206	25mm	125768	P2B-SCB-25M
	1-1/16	123856	P2B-SCB-101
	1-1/8	123864	P2B-SCB-102
	1-3/16	123865	P2B-SCB-103
	1-1/4	123171	P2B-SCB-104S
207	30mm	125760	P2B-SCB-30M
	1-1/4	123866	P2B-SCB-104
	1-5/16	123857	P2B-SCB-105
	1-3/8	123867	P2B-SCB-106
208	1-7/16	123868	P2B-SCB-107
	35mm	124944	P2B-SCB-35M
	1-1/2	123869	P2B-SCB-108
209	1-5/8	123858	P2B-SCB-110
	40mm	125856	P2B-SCB-40M
	1-5/8	068760	P2B-SCB-110L
210	1-11/16	123870	P2B-SCB-111
	1-3/4	123871	P2B-SCB-112
	45mm	051878	P2B-SCB-45M
211	1-15/16	123872	P2B-SCB-115
	2	123873	P2B-SCB-200
	50mm	051879	P2B-SCB-50M
212	2	057603	P2B-SCB-200L
	2-3/16	123874	P2B-SCB-203
	2-1/4	123589	P2B-SCB-204
215	55mm	124943	P2B-SCB-55M
	2-1/4	068361	P2B-SCB-204L
	2-7/16	123875	P2B-SCB-207
215	60mm	051880	P2B-SCB-60M
	2-15/16	123727	P2B-SCB-215
	75mm	@	P2B-SCB-75M

@ Assembled to order.

FEATURES/BENEFITS PAGE B4-3	HOW TO ORDER/NOMENCLATURE PAGE B4-5	SELECTION PAGE B4-6	ACCESSORIES PAGE B4-98
--------------------------------	--	------------------------	---------------------------

Bearing Reference Guide
 ULTRA KLEEN
 E-Z KLEEN
 Extreme Duty
 Setscrew Ball Bearing
 GRIP TIGHT
 D-LOK Ball Bearing

SELECTION/DIMENSIONS



Setscrew Ball Bearings SCB NORMAL DUTY PILLOW BLOCKS

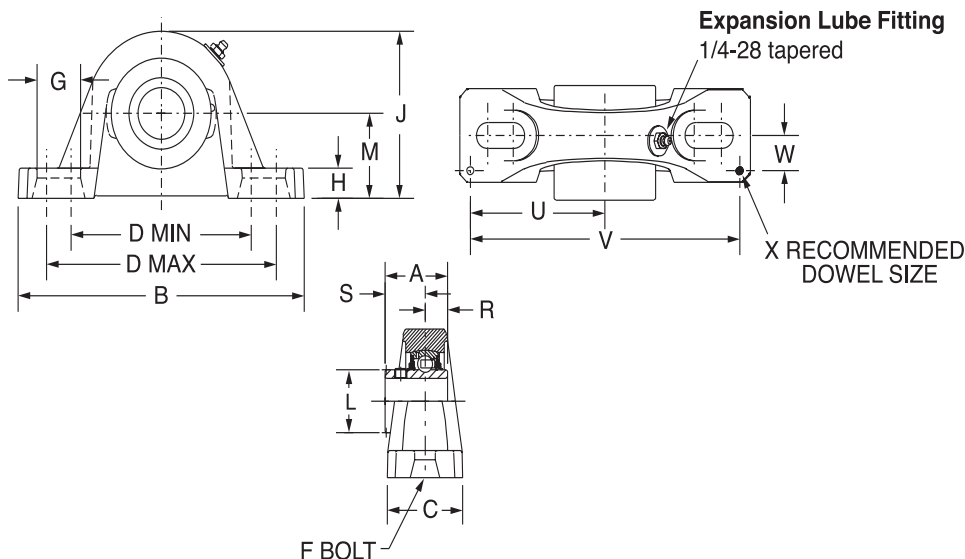
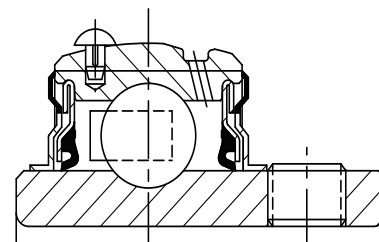
Series	Shaft Size	Weight lbs. kgs.	A	B	C	D		F Bolt Dia	G	H	J	L	M	R	S	U	V	W	X	
						Min	Max													
203 SC	1/2	1.1	1.00	5.00	1.20	3.25	4.06	3/8	0.84	0.47	2.14	0.96	1.06	0.36	0.64	2.25	4.50	0.38	0.12	
	5/8	1.0																		
	17mm	0.4	25.4	127.0	30.5	82.6	103.1	M10	21.3	11.9	54.4	24.4	26.9	9.1	16.3	57.2	114.3	9.7	3.0	
204	1/2	1.6	1.23	5.25	1.34	3.38	4.19	3/8	0.85	0.47	2.49	1.12	1.25	0.50	0.73	2.25	4.50	0.50	0.12	
	5/8	1.5																		
	3/4	1.4																		
	20mm	0.7	31.2	133.4	34.0	85.9	106.4	M10	21.6	11.9	63.2	28.4	31.8	12.7	18.5	57.2	114.3	12.7	3.0	
205	7/8	1.8	1.34	5.50	1.40	3.69	4.50	3/8	0.85	0.45	2.64	1.32	1.31	0.56	0.78	2.50	5.00	0.50	0.12	
	15/16	1.7																		
	1	1.6																		
	25mm	.07	34.0	139.7	35.6	93.7	114.3	M10	21.6	11.4	67.1	33.5	33.3	14.2	19.8	63.5	127.0	12.7	3.0	
206	1-1/16	2.8	1.52	6.25	1.75	4.25	5.00	1/2	0.94	0.62	3.19	1.57	1.56	0.58	0.94	2.88	5.76	0.56	0.12	
	1-1/8	2.7																		
	1-3/16	2.6																		
	1-1/4	2.5																		
	30mm	1.1	38.6	158.8	44.5	108.0	127.0	M12	23.9	15.8	81.0	39.9	39.6	14.7	23.9	73.2	146.3	14.2	3.0	
207	1-1/4	4.5	1.71	6.50	1.75	4.68	5.44	1/2	0.94	0.65	3.69	1.84	1.81	0.67	1.04	2.91	5.82	0.56	0.12	
	1-5/16	4.4																		
	1-3/8	45.3																		
	1-7/16	4.2																		
	35mm	1.5	43.4	165.1	44.5	118.9	138.2	M12	23.9	16.5	93.7	46.7	46.0	17.0	26.4	73.9	147.8	14.2	3.0	
208	1-1/2	5.4	1.94	7.25	1.93	5.18	5.88	1/2	0.91	0.75	4.00	2.05	1.94	0.75	1.19	3.26	6.52	0.69	0.12	
	1-5/8	5.3																		
	40mm	2.2	49.3	184.2	49.0	131.6	149.4	M12	23.1	19.1	101.6	52.1	49.3	19.1	30.2	82.8	165.6	17.5	3.0	
209	1-5/8	6.6	1.94	7.44	2.00	5.50	6.19	1/2	0.90	0.69	4.21	2.22	2.06	0.75	1.19	3.38	6.76	0.69	0.12	
	1-11/16	6.4																		
	1-3/4	6.2																		
	45mm	2.2	49.3	189.0	50.8	139.7	157.2	M12	22.9	17.5	106.9	56.4	52.3	19.1	30.2	85.9	171.7	17.5	3.0	
210	1-15/16	78.2	1.94	8.12	2.25	6.00	6.68	5/8	1.02	0.68	4.47	2.43	2.19	0.75	1.19	3.69	7.38	0.81	0.12	
	2	7.0																		
	50mm	2.6	49.3	206.2	57.2	152.4	169.7	M16	25.9	17.3	113.5	61.7	55.6	19.1	30.2	93.7	187.5	20.6	3.0	
211	2	9.0	2.22	8.88	2.30	6.38	7.44	5/8	1.21	0.81	4.90	2.71	2.44	0.87	1.35	3.94	7.88	0.81	0.12	
	2-3/16	8.9																		
	2-1/4	8.8																		
	55mm	3.3	56.4	225.6	58.4	162.1	189.0	M16	30.7	20.6	124.5	68.8	62.0	22.1	34.3	100.1	200.2	20.6	3.0	
212	2-1/4	10.8	2.31	9.50	2.37	6.88	7.94	5/8	1.21	0.81	5.34	2.97	2.69	0.90	1.41	4.25	8.50	0.88	0.12	
	2-7/16	10.2																		
	60mm	4.2	58.7	241.3	60.2	174.8	201.7	M16	30.7	20.6	135.6	75.4	68.3	22.9	35.8	108.0	215.9	22.4	3.0	
215	2-15/16	20.5	2.33	11.75	2.88	8.50	9.50	7/8	1.44	1.06	6.56	3.62	3.31	0.86	1.47	5.48	10.96	1.04	0.12	
	75mm	7.9	59.2	298.5	73.2	215.9	241.3	M22	36.6	26.9	166.6	91.9	84.1	21.8	37.3	139.2	278.4	26.4	3.0	

FEATURES/BENEFITS PAGE B4-3	HOW TO ORDER/NOMENCLATURE PAGE B4-5	SELECTION PAGE B4-6	ACCESSORIES PAGE B4-98
--------------------------------	--	------------------------	---------------------------



SELECTION/DIMENSIONS

Setscrew Ball Bearings SCH-E EXPANSION NORMAL DUTY PILLOW BLOCKS



Series	Shaft Size	Expansion		Non-Expansion	
		Part Number	Description	Part Number	Description
205	1	064637	P2B-SCH-100-E	126147	P2B-SCM-100
	25mm	073418	P2B-SCH-25M-E	125925	P2B-SCM-25M
206	1-1/16	@	P2B-SCH-101-E	-----	-----
	1-1/8	@	P2B-SCH-102-E	-----	-----
	1 3/16	126405	P2B-SCH-103-E	126147	P2B-SCM-103
	1-1/4	053183	P2B-SCH-104S-E	123810	P2B-SC-104
	30mm	053021	P2B-SCH-30M-E	125926	P2B-SCM-30M
207	1-1/4	@	P2B-SCH-104-E	-----	-----
	1-5/16	@	P2B-SCH-105-E	-----	-----
	1-3/8	@	P2B-SCH-106-E	-----	-----
	1-7/16	126406	P2B-SCH-107-E	126810	P2B-SCM-107
209	35mm	073358	P2B-SCH-35M-E	125927	P2B-SCM-35M
	1-5/8	@	P2B-SCH-110L-E	-----	-----
	1-11/16	057414	P2B-SCH-111-E	126812	P2B-SCM-111
210	1-3/4	074926	P2B-SCH-112-E	126813	P2B-SCM-112
	45mm	056481	P2B-SCH-45M-E	125929	P2B-SCM-45M
	1-15/16	126407	P2B-SCH-115-E	126814	P2B-SCM-115
211	2	052224	P2B-SCH-200-E	126815	P2B-SCM-200
	50mm	056483	P2B-SCH-50M-E	125930	P2B-SCM-50M
	2-3/16	126408	P2B-SCH-203-E	126816	P2B-SCM-203
212	2-1/4	068800	P2B-SCH-204-E	126817	P2B-SCM-204
	55mm	053025	P2B-SCH-55M-E	125931	P2B-SCM-55M
212	2-7/16	126409	P2B-SCH-207-E	126818	P2B-SCM-207
	60mm	@	P2B-SCH-60M-E	-----	-----

@Assembled to order

FEATURES/BENEFITS PAGE B4-3	HOW TO ORDER/NOMENCLATURE PAGE B4-5	SELECTION PAGE B4-6	ACCESSORIES PAGE B4-98
--------------------------------	--	------------------------	---------------------------

Bearing Reference Guide

ULTRA KLEEN

E-Z KLEEN

Extreme Duty

Setscrew Ball Bearing

GRIP TIGHT

D-LOK Ball Bearing

SELECTION/DIMENSIONS



Setscrew Ball Bearings SCH-E EXPANSION NORMAL DUTY PILLOW BLOCKS

Series	Shaft Size	Weight lbs. kgs.	A	B	C	D		F	G	H	J
						Min.	Max.				
205	1	2.8	1.34	6.25	1.75	4.25	5.00	1/2	0.94	0.75	3.31
	25mm	1.2	34.0	158.8	44.5	108.0	127.0	M12	23.9	19.1	84.1
206	1-1/16	4.8	1.52	6.50	1.75	4.68	5.44	1/2	0.94	0.71	3.75
	1-1/8	4.7									
	1 3/16	4.6									
	1-1/4	4.5									
	30mm	1.9	38.6	165.1	44.5	118.9	138.2	M12	23.9	18.0	95.3
207	1-1/4	6.7	1.71	7.25	1.93	5.18	5.88	1/2	0.91	0.93	4.19
	1-5/16	6.6									
	1-3/8	6.5									
	1-7/16	6.4									
	35mm	2.7	43.4	184.2	49.0	131.6	149.4	M12	23.1	23.6	106.4
209	1-5/8	6.4	1.94	8.12	2.25	6.00	6.68	5/8	1.02	0.75	4.53
	1-11/16	6.3									
	1-3/4	6.2									
	45mm	2.6	49.3	206.2	57.2	152.4	169.7	M16	25.9	19.1	115.1
210	1-15/16	9.8	1.94	8.88	2.30	6.38	7.44	5/8	1.21	0.88	4.96
	2	9.7									
	50mm	4.0	49.3	225.6	58.4	162.1	189.0	M16	30.7	22.4	126.0
211	2-3/16	14.3	2.22	9.50	2.37	6.88	7.94	5/8	1.21	0.88	5.40
	2-1/4	14.2									
	55mm	5.9	56.4	241.3	60.2	174.8	201.7	M16	30.7	22.4	137.2
212	2-7/16	16.6	2.31	10.75	2.69	7.50	8.50	3/4	1.32	0.94	6.09
	60mm	6.8	58.7	273.1	68.3	190.5	215.9	M18	33.5	23.8	154.7

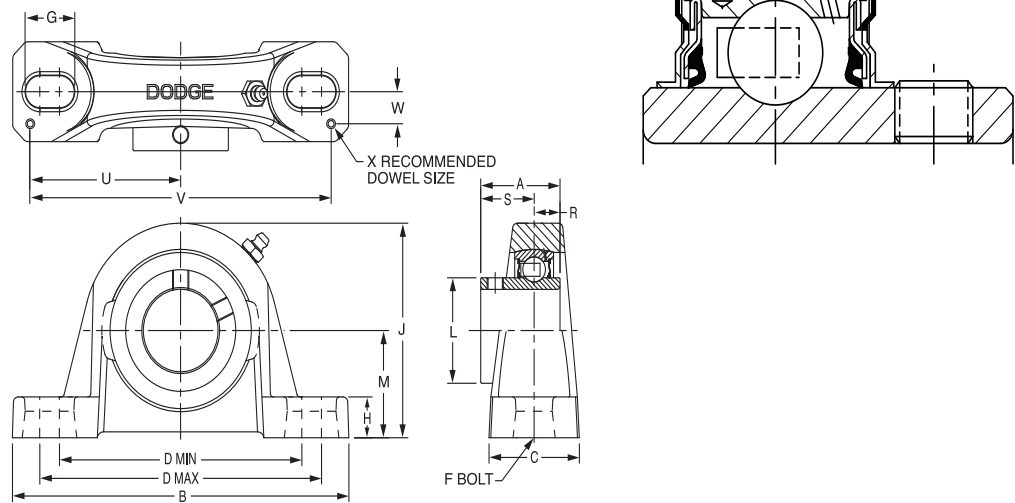
Series	Shaft Size	L	M	R	S	T Total Expansion	U	V	W	X
205	1	1.32	1.69	0.56	0.78	0.16	2.88	5.76	0.56	0.12
	25mm	33.5	42.9	14.2	19.8	4.1	73.2	146.3	14.2	3.0
206	1-1/16	1.57	1.88	0.58	0.94	0.16	2.91	5.82	0.56	0.12
	1-1/8									
	1 3/16									
	1-1/4									
	30mm	39.9	47.8	14.7	23.9	4.1	73.9	147.8	14.2	3.0
207	1-1/4	1.84	2.13	0.67	1.04	0.16	3.26	6.52	0.69	0.12
	1-5/16									
	1-3/8									
	1-7/16									
	35mm	46.7	54.1	17.0	26.4	4.1	82.8	165.6	17.5	3.0
209	1-5/8	2.05	2.25	0.75	1.19	0.25	3.69	7.38	0.81	0.12
	1-11/16									
	1-3/4									
210	45mm	52.1	57.2	19.1	30.2	6.4	93.7	187.5	20.6	3.0
	1-15/16	2.43	2.50	0.75	1.19	0.22	3.94	7.88	0.81	0.12
211	2									
	50mm	61.7	63.5	19.1	30.2	5.6	100.1	200.2	20.6	3.0
	2-3/16	2.71	2.75	.87	1.35	0.22	4.25	8.50	0.88	0.12
212	2-1/4									
	55mm	68.8	69.9	22.1	34.3	5.6	108.0	215.9	22.4	3.0
212	2-7/16	2.97	3.00	0.90	1.41	0.22	4.88	9.76	0.94	0.12
	60mm	75.4	76.2	22.9	35.8	5.6	124.0	247.9	23.9	3.0

FEATURES/BENEFITS PAGE B4-3	HOW TO ORDER/NOMENCLATURE PAGE B4-5	SELECTION PAGE B4-6	ACCESSORIES PAGE B4-98
--------------------------------	--	------------------------	---------------------------



SELECTION/DIMENSIONS

Setscrew Ball Bearings SCM MEDIUM DUTY PILLOW BLOCKS



Lube Fitting

203 series - 1/4-28 tapered thread
204 series and larger - 1/8-27 NPT

Series	Shaft Size	Standard		No-Lube/Sealed for Life (-NL)	
		Part No.	Description	Part No.	Description
206	1	126147	P2B-SCM-100	058624	P2B-SCM-100-NL
	25mm	125925	P2B-SCM-25M	@	P2B-SCM-25M-NL
206 (SCMU)	1	064249	P2B-SCMU-100	@	P2B-SCMU-100-NL
	25mm	@	P2B-SCMU-25M	@	P2B-SCMU-25M-NL
207	1-3/16	126148	P2B-SCM-103	052275	P2B-SCM-103-NL
	1-1/4	123810	P2B-SC-104	123933	P2B-SC-104-NL
	30mm	125926	P2B-SCM-30M	077777	P2B-SCM-30M-NL
208	1-7/16	126810	P2B-SCM-107	126855	P2B-SCM-107-NL
	35mm	125927	P2B-SCM-35M	@	P2B-SCM-35M-NL
209	1-1/2	126811	P2B-SCM-108	058400	P2B-SCM-108-NL
	1-5/8	125169	P2B-SC-110L	@	P2B-SC-110L-NL
	40mm	125928	P2B-SCM-40M	@	P2B-SCM-40M-NL
210	1-11/16	126812	P2B-SCM-111	075105	P2B-SCM-111-NL
	1-3/4	126813	P2B-SCM-112	@	P2B-SCM-112-NL
	45mm	125929	P2B-SCM-45M	@	P2B-SLM-45M-NL
211	1-15/16	126814	P2B-SCM-115	126856	P2B-SCM-115-NL
	2	126815	P2B-SCM-200	126547	P2B-SCM-200-NL
	50mm	125930	P2B-SCM-50M	065548	P2B-SCM-50M-NL
212	2-3/16	126816	P2B-SCM-203	052005	P2B-SCM-203-NL
	2-1/4	126817	P2B-SCM-204	@	P2B-SCM-204-NL
	55mm	125931	P2B-SCM-55M	@	P2B-SCM-55M-NL
214	2-7/16	126818	P2B-SCM-207	126857	P2B-SCM-207-NL
	2-1/2	126819	P2B-SCM-208	062178	P2B-SCM-208-NL
	65mm	125932	P2B-SCM-65M	068025	P2B-SCM-65M-NL
215	2-11/16	126820	P2B-SCM-211	126533	P2B-SCM-211-NL
	70mm	125933	P2B-SCM-70M	@	P2B-SC-70M-NL
216	2-15/16	126821	P2B-SCM-215	126534	P2B-SCM-215-NL
	3	126822	P2B-SCM-300	126535	P2B-SCM-300-NL
	75mm	125934	P2B-SCM-75M	062186	P2B-SCM-75M-NL
218	3-7/16	126823	P2B-SCM-307	@	P2B-SCM-307-NL
	3-1/2	126824	P2B-SCM-308	@	P2B-SCM-308-NL
	85mm	125935	PWB-SCM-85M	@	PWB-SCM-85M-NL

@ Assembled to order

FEATURES/BENEFITS PAGE B4-3	HOW TO ORDER/NOMENCLATURE PAGE B4-5	SELECTION PAGE B4-6	ACCESSORIES PAGE B4-98
--------------------------------	--	------------------------	---------------------------

Bearing Reference Guide

ULTRA KLEEN

E-Z KLEEN

Extreme Duty

Setscrew Ball Bearing

GRIP TIGHT

D-LOK Ball Bearing

SELECTION/DIMENSIONS



Setscrew Ball Bearings SCM MEDIUM DUTY PILLOW BLOCKS

Bearing Reference Guide

ULTRA KLEEN

E-Z KLEEN

Extreme Duty

Setscrew Ball Bearing

GRIP TIGHT

D-LOK Ball Bearing

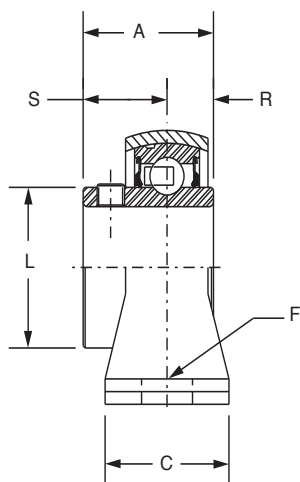
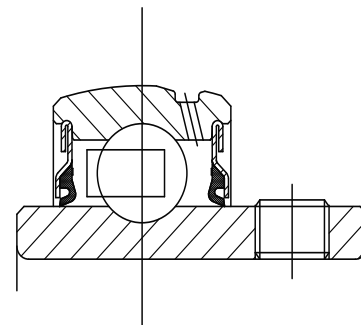
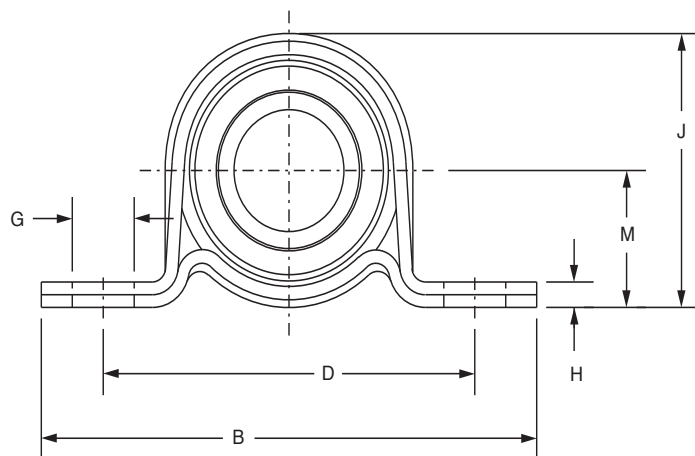
Series	Shaft Size	Weight Lbs. kg.	A	B	C	D		F	G	H	J	L	M	R	S	U	V	W	X
						Min.	Max.												
206	1	3.0	1.52	6.25	1.75	4.25	5.00	1/2	0.94	0.68	3.25	1.57	1.63	0.58	0.94	2.88	5.76	0.56	0.12
	25mm	1.3	38.6	158.8	44.5	108.0	127.0	M12	23.9	17.3	82.6	39.9	41.3	14.7	23.9	73.2	146.3	14.2	3.0
206 SCMU	1	3.1	1.52	6.25	1.75	4.25	5.00	1/2	0.94	0.81	3.37	1.57	1.75	0.58	0.94	2.88	5.76	0.56	0.12
	25mm	1.4	38.6	158.8	44.5	108.0	127.0	M12	23.9	20.6	85.6	39.9	44.5	14.7	23.9	73.2	146.3	14.2	3.0
207	1-3/16	4.6	1.71	6.50	1.75	4.68	5.44	1/2	0.94	0.71	3.75	1.84	1.88	0.67	1.04	2.91	5.82	0.56	0.12
	1-1/4	4.2																	
	30mm	2.0	43.4	165.1	44.5	118.9	138.2	M12	23.9	18.0	95.3	46.7	47.6	17.0	26.4	73.9	147.8	14.2	3.0
208	1-7/16	5.4	1.94	7.25	1.93	5.18	5.88	1/2	0.91	0.93	4.19	2.05	2.13	0.75	1.19	3.26	6.52	0.69	0.12
	35mm	2.3	49.3	184.2	49.0	131.6	149.4	M12	23.1	23.6	106.4	52.1	54.0	19.1	30.2	82.8	165.6	17.5	3.0
209	1-1/2	6.4	1.94	7.44	2.00	5.50	6.19	1/2	0.90	0.75	4.28	2.22	2.13	0.75	1.19	3.38	6.76	0.69	0.12
	1-5/8	6.3																	
	40mm	2.7	49.3	189.0	50.8	139.7	157.2	M12	22.9	19.1	108.7	56.4	54.0	19.1	30.2	85.9	171.7	17.5	3.0
210	1-11/16	7.4	1.94	8.12	2.25	6.00	6.68	5/8	1.02	0.75	4.53	2.43	2.25	0.75	1.19	3.69	7.38	0.81	0.12
	1-3/4	7.3																	
	45mm	3.2	49.3	206.2	57.2	152.4	169.7	M16	25.9	19.1	115.1	61.7	57.2	19.1	30.2	93.7	187.5	20.6	3.0
211	1-15/16	9.2	2.22	8.88	2.30	6.38	7.44	5/8	1.21	0.88	4.96	2.71	2.50	0.87	1.35	3.94	7.88	0.81	0.12
	2	9.0																	
	50mm	3.9	56.4	225.6	58.4	162.1	189.0	M16	30.7	22.4	126.0	68.8	63.5	22.1	34.3	100.1	200.2	20.6	3.0
212	2-3/16	11.0	2.31	9.50	2.37	6.88	7.94	5/8	1.21	0.88	5.40	2.97	2.75	0.90	1.41	4.25	8.50	0.88	0.12
	2-1/4	10.8																	
	55mm	4.7	58.7	241.3	60.2	174.8	201.7	M16	30.7	22.4	137.2	75.4	69.9	22.9	35.8	108.0	215.9	22.4	3.0
214	2-7/16	15.7	2.54	10.75	2.69	7.50	8.50	3/4	1.32	0.94	6.09	3.31	3.00	1.06	1.48	4.88	9.76	0.94	0.12
	2-1/2	15.5																	
	65mm	6.7	64.5	273.1	68.3	190.5	215.9	M18	33.5	23.9	154.7	84.1	76.2	26.9	37.6	124.0	247.9	23.9	3.0
215	2-11/16	21.0	2.33	11.75	2.88	8.50	9.50	7/8	1.44	1.00	6.75	3.62	3.50	0.86	1.47	5.48	10.96	1.04	0.12
	70mm	9.0	59.2	298.5	73.2	215.9	241.3	M22	36.6	25.4	171.5	91.9	88.9	21.8	37.3	139.2	278.4	26.4	3.0
216	2-15/16	21.3	2.38	11.75	3.00	8.50	9.50	7/8	1.44	1.25	6.97	3.83	3.50	0.88	1.50	5.50	11.00	1.09	0.12
	3	21.1																	
	75mm	9.0	60.5	298.5	76.2	215.9	241.3	M22	36.6	31.8	177.0	97.3	88.9	22.4	38.1	139.7	279.4	27.7	3.0
218	3-7/16	31.8	2.56	14.00	3.38	10.32	11.62	7/8	1.59	1.31	8.00	4.35	4.00	0.96	1.60	6.60	13.20	1.19	0.12
	3-1/2	31.3																	
	85mm	13.6	65.0	355.6	85.9	262.1	295.1	M22	40.4	33.3	203.2	110.5	101.6	24.4	40.6	167.6	335.3	30.2	3.0

FEATURES/BENEFITS PAGE B4-3	HOW TO ORDER/NOMENCLATURE PAGE B4-5	SELECTION PAGE B4-6	ACCESSORIES PAGE B4-98
--------------------------------	--	------------------------	---------------------------



SELECTION/DIMENSIONS

Setscrew Ball Bearings SL LIGHT DUTY PILLOW BLOCKS



Series	Shaft Size	Part No.	Description
203	1/2	059637	P2B-SL-008
	5/8	128197	P2B-SL-010
	17mm	@	P2BSL-17M
204	3/4	128106	P2B-SL-012
	20mm	@	P2B-SL-20M
205	7/8	128170	P2B-SL-014
	15/16	128171	P2B-SL-015
	1	128107	P2B-SL-100
	25mm	068068	P2B-SL-25M
206	1-1/8	128172	P2B-SL-102
	1-3/16	128108	P2B-SL-103
	1-1/4	128111	P2B-SL-104S
	30mm	049944	P2B-SL-30M
207	1-1/4	128109	P2B-SL-104
	1-3/8	128173	P2B-SL-106
	1-7/16	128110	P2B-SL-107
	35mm	@	P2B-SL-35M

@ Assembled to order

FEATURES/BENEFITS PAGE B4-3	HOW TO ORDER/NOMENCLATURE PAGE B4-5	SELECTION PAGE B4-6	ACCESSORIES PAGE B4-98
--------------------------------	--	------------------------	---------------------------

Bearing Reference Guide
ULTRA KLEEN
E-Z KLEEN
Extreme Duty
Setscrew Ball Bearing
GRIP TIGHT
D-LOK Ball Bearing

SELECTION/DIMENSIONS



Setscrew Ball Bearings SL LIGHT DUTY PILLOW BLOCKS

Bearing Reference Guide

ULTRA KLEEN

E-Z KLEEN

Extreme Duty

Setscrew Ball Bearing

GRIP TIGHT

D-LOK Ball Bearing

Series	Shaft Size	Weight lb. kg.	A	B	C	D	F Bolt Dia.	G	H	J	L	M	R	S	Housing Radial Load Rating (lbs)
203	1/2	0.51	1.00	3.63	1.00	2.69	1/4	0.50	0.13	1.75	0.96	0.88	0.36	0.64	250
	5/8	0.49													
	17mm	0.2	25.4	92.2	25.4	68.3	M6	12.7	3.3	44.5	24.4	22.4	9.1	16.3	1,112
204	3/4	0.61	1.02	4.13	1.00	3.00	3/8	0.50	0.15	2.06	1.12	1.00	0.29	0.73	350
	20mm	0.3	25.9	104.9	25.4	76.2	M10	12.7	3.8	52.3	28.4	25.4	7.4	18.5	1,556
205	7/8	0.79	1.06	4.50	1.13	3.38	3/8	0.56	0.21	2.22	1.32	1.13	0.30	0.76	400
	15/16	0.76													
	1	0.73	26.9	114.3	28.7	85.9	M10	14.2	5.3	56.4	33.5	28.7	7.6	19.3	1,779
206	1-1/8	1.14	1.26	4.88	1.25	3.75	3/8	0.56	0.24	2.62	1.57	1.31	0.35	0.91	600
	1-3/16	1.12													
	1-1/4	1.10	32.0	124.0	31.8	95.3	M10	14.2	6.1	66.5	39.9	33.3	8.9	23.1	2,668
207	1-1/4	1.54	1.40	5.75	1.25	4.25	1/2	0.75	0.24	3.12	1.84	1.56	0.37	1.03	800
	1-3/8	1.50													
	1-7/16	1.48	35.6	146.1	31.8	108.0	M12	19.1	6.1	79.2	46.7	39.6	9.4	26.2	3,557

FEATURES/BENEFITS PAGE B4-3	HOW TO ORDER/NOMENCLATURE PAGE B4-5	SELECTION PAGE B4-6	ACCESSORIES PAGE B4-98
--------------------------------	--	------------------------	---------------------------